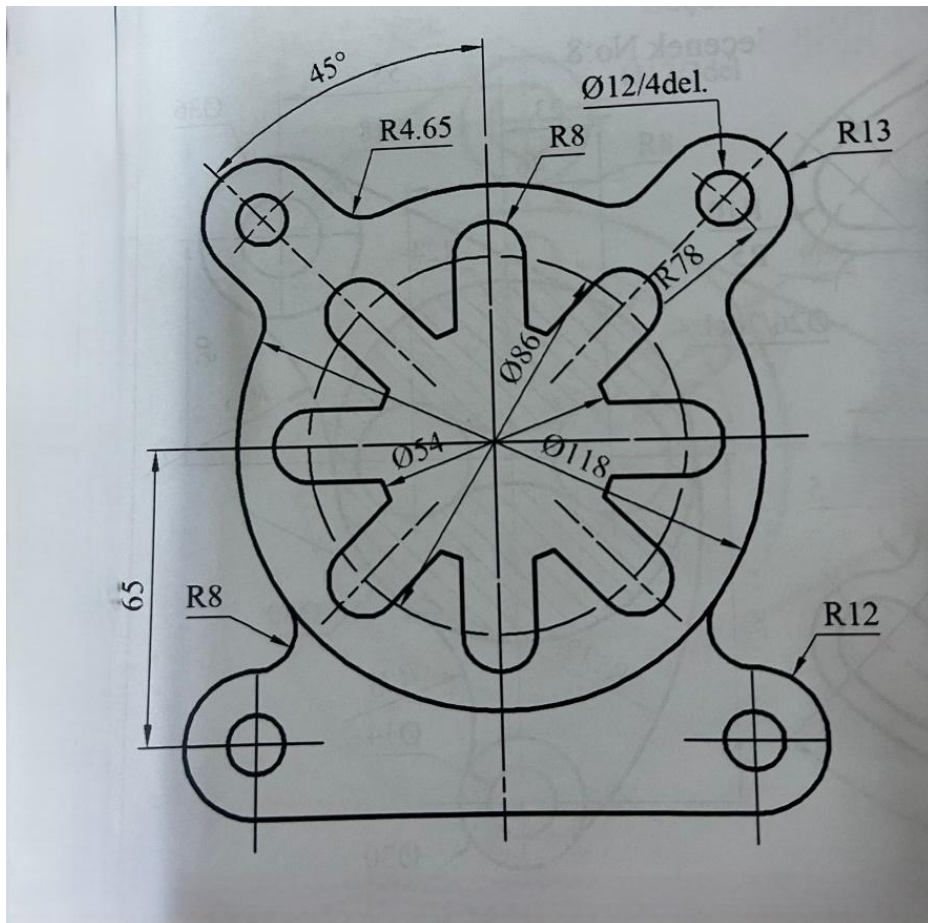


ME-125/157 Computer Aided Technical Drawing I Group Assignments

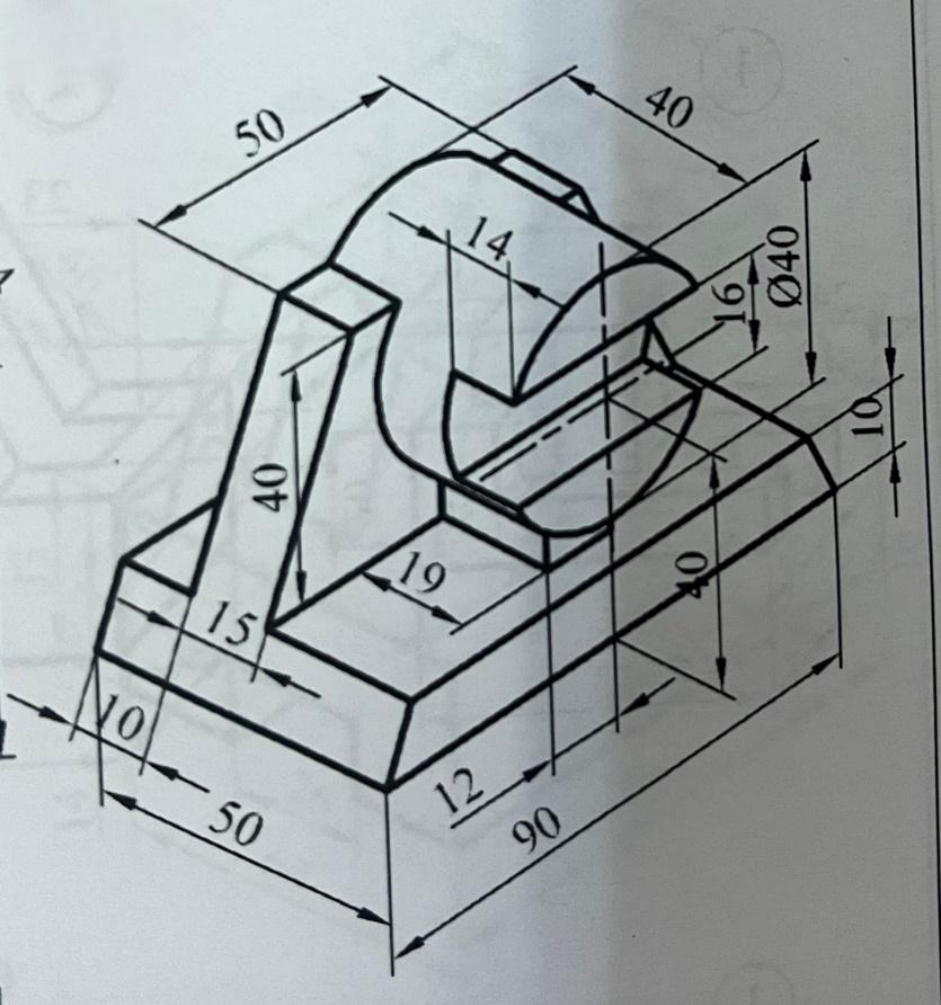
Rules

- . Each student in the group must contribute to the assignment.
- . The deadline for submitting assignments is January 15, 2025.
- . Students will not be allowed to change groups for any reason.
- . Assignments for which the instruction giving and receiving form is not submitted will not be accepted.
- . Students must submit their homework as a pdf file and an autocad file with a dwg extension.
- . This assignment will contribute overall score of students as 5%. (Assignment=5%, Applications=10% Mid-Term Exam=25%, Final Exam=60%)

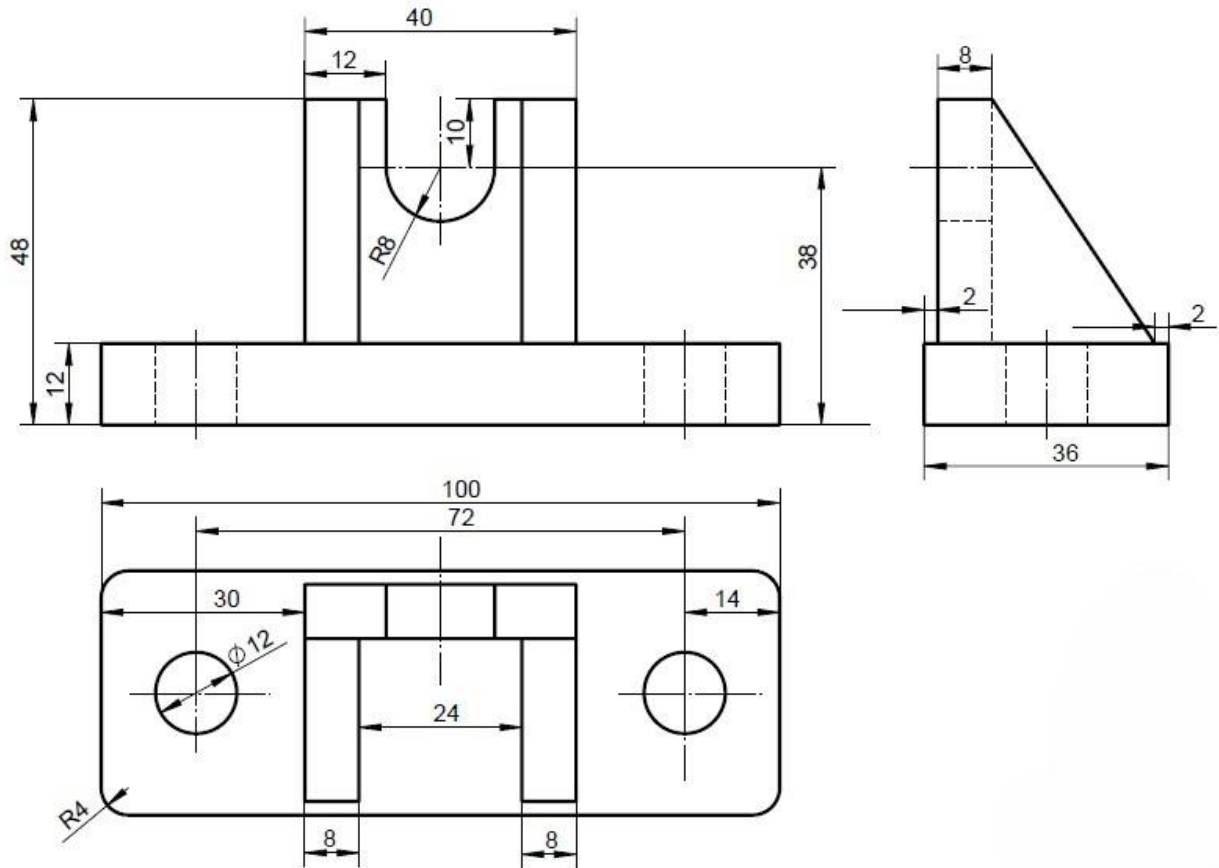
1) Draw the two-dimensional body shown below and make dimensioning. (30 pts)



2) Draw front, left and side views of the part shown below and make dimensioning.(30 pts)



3) Draw the isometric view of the part in which three different views of it are given in the below.(30 pts)



4) Fill the instruction giving and receiving form properly. (10pts)

Prof. Dr. Abdul Kadir EKŞİ
Asst. Prof. Dr. Sergen TÛMSE