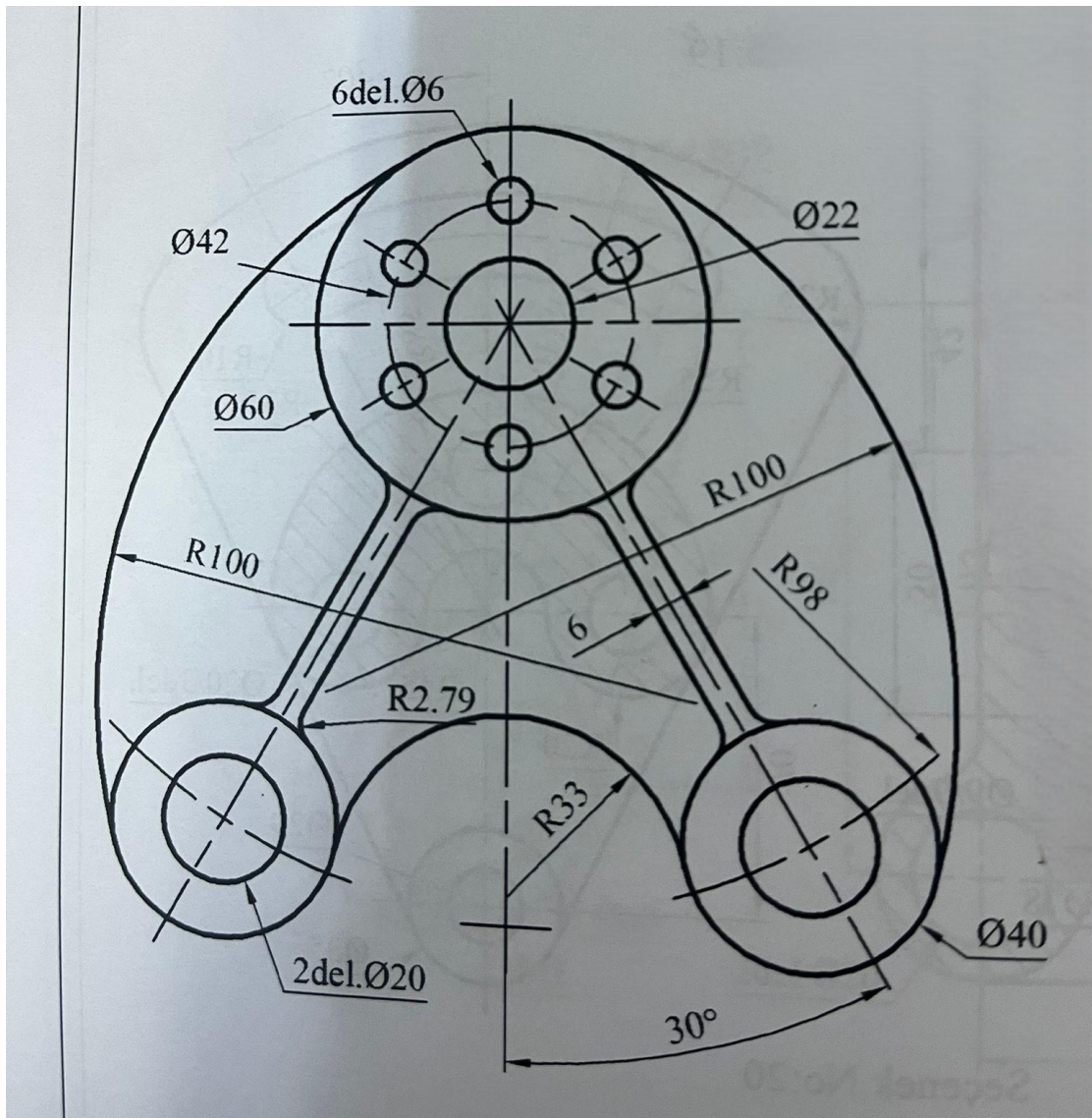


ME-125/157 Computer Aided Technical Drawing I Group Assignments

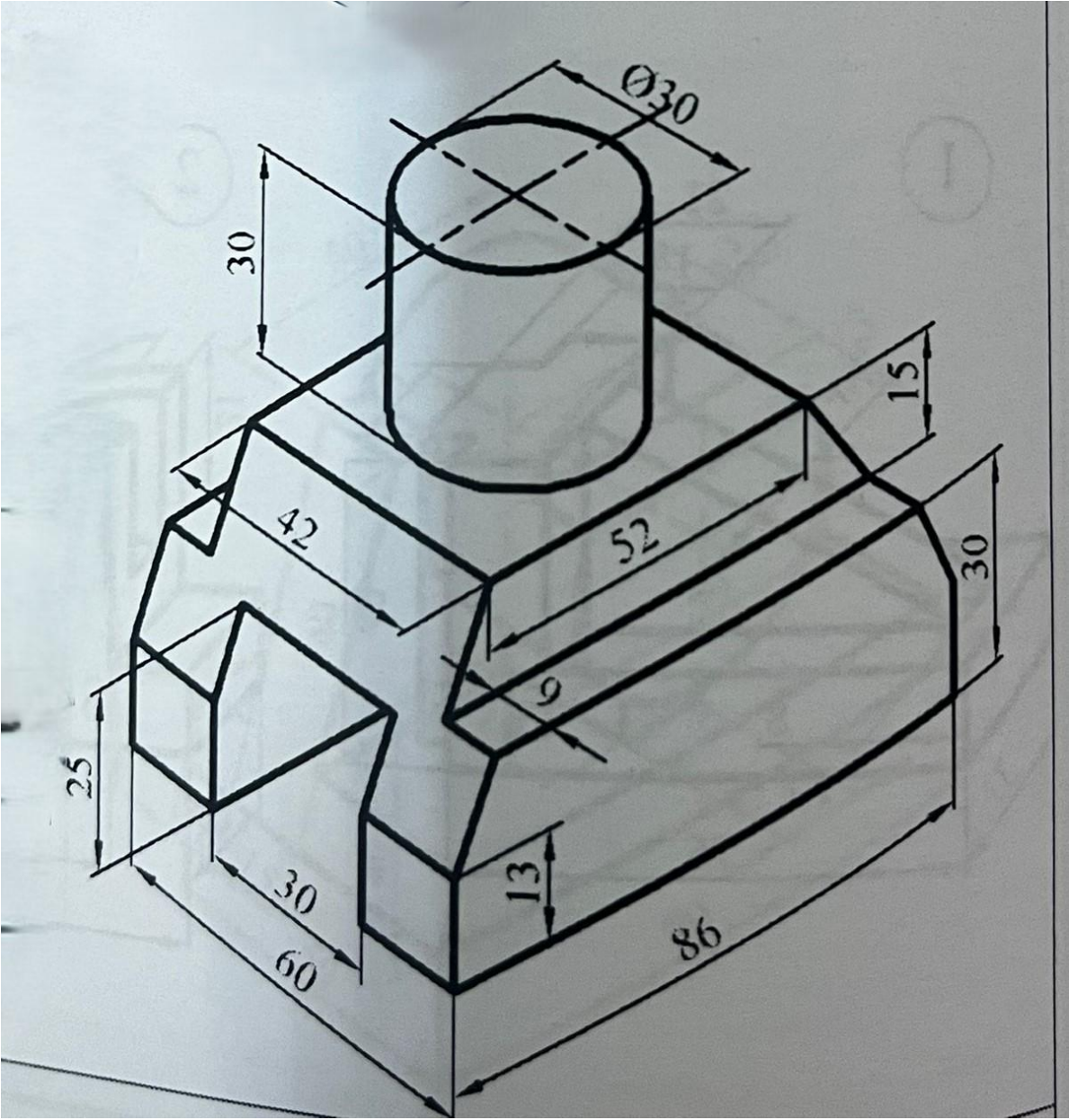
Rules

- . Each student in the group must contribute to the assignment.
- . The deadline for submitting assignments is January 15, 2025.
- . Students will not be allowed to change groups for any reason.
- . Assignments for which the instruction giving and receiving form is not submitted will not be accepted.
- . Students must submit their homework as a pdf file and an autocad file with a dwg extension.
- . This assignment will contribute overall score of students as 5%. (Assignment=5%, Applications=10% Mid-Term Exam=25%, Final Exam=60%)

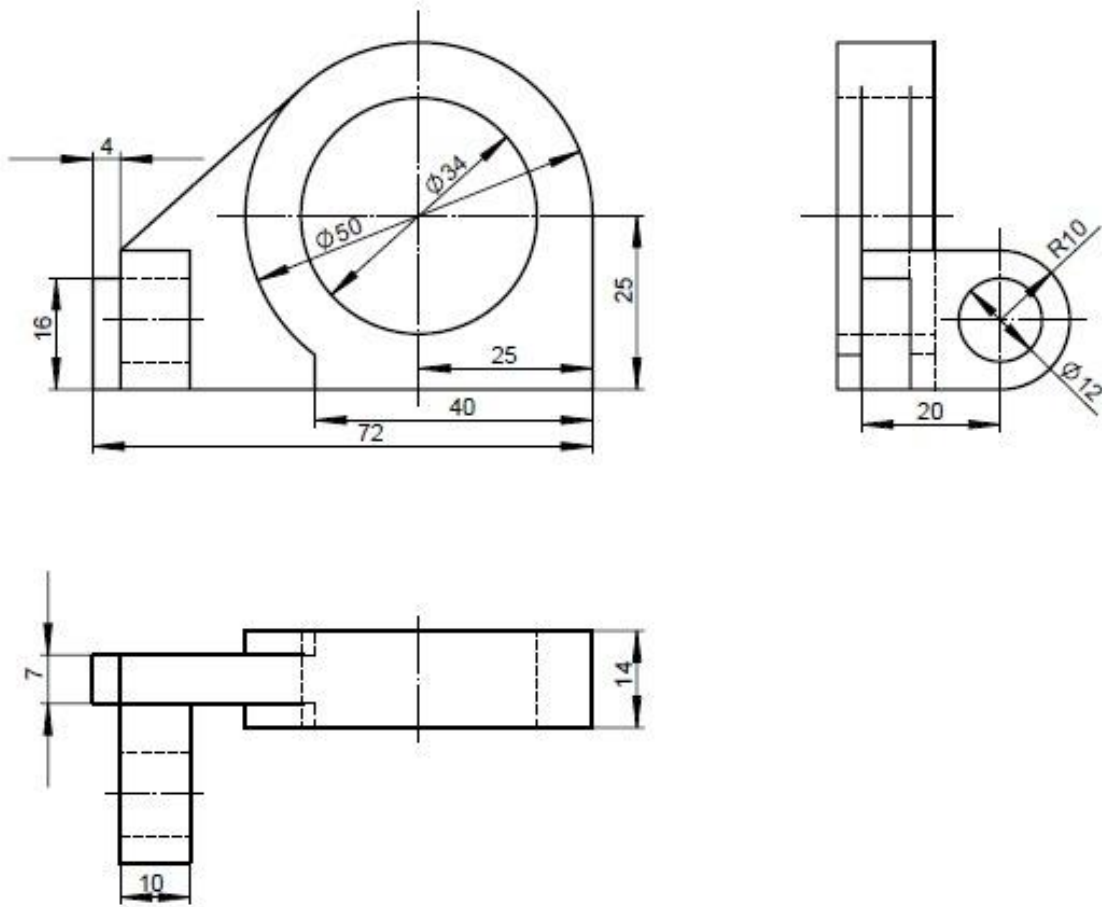
1) Draw the two-dimensional body shown below and make dimensioning. (30 pts)



2) Draw front, left and side views of the part shown below and make dimensioning. (30 pts)



- 3) Draw the isometric view of the part in which three different views of it are given in the below. (30 pts)



- 4) Fill the instruction giving and receiving form properly. (10pts)

Prof. Dr. Abdul Kadir EKŞİ
Asst. Prof. Dr. Seren TMSE

